



PRINTER SPECIFICATIONS

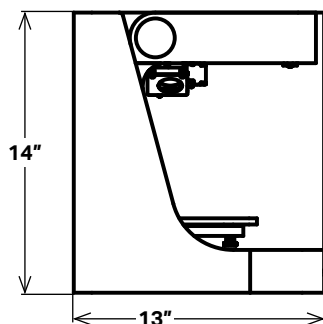
ONYX ONE

Built on the same platform as our award winning Industrial Series, the Onyx One is designed from the ground up for quality and reliability in a form factor that fits on your desktop. Onyx parts are twice as strong as conventional plastics, and if you need real strength, upgrade to continuous carbon fiber reinforcement for parts that are stronger than aluminum.

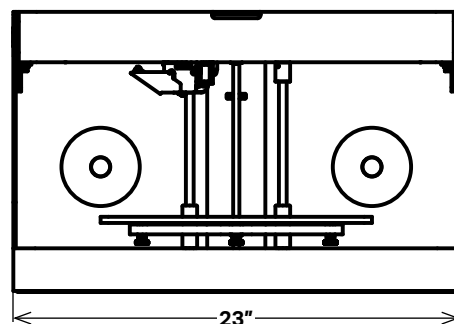
PRINTER PROPERTIES	Process	Fused Filament Fabrication
	Build Volume	320 x 132 x 154 mm (12.6 x 5.2 x 6 in)
	Weight	15 kg (34 lbs)
	Machine Footprint	584 x 330 x 355 mm (23 x 13 x 14 in)
	Print Bed	Flat to within 160 um - Kinematic coupling
	Onyx Pro Upgrade	Continuous Fiberglass
	Mark Two Upgrade	Continuous Carbon Fiber, HSHT, and Kevlar
	Power	100-240VAC, 150W (2A peak)
PART PROPERTIES	Layer Height	100um default, 200um maximum
	Material Properties	UTS: 36 MPa (1.2x ABS); Flex Stiffness: 2.9 GPa (1.4x ABS)
	Infill	Closed Cell Infill: Multiple geometries available
SOFTWARE	Supplied Software	Markforged Software - Cloud Storage, Local Storage, or Fully On-Premise (\$5,000 added fee)
	Security	Two Factor Auth, Org Admin Access, Single Sign On
MATERIALS	Plastics Available	Onyx
	Fibers Available	None

MACHINE COST

SIDE VIEW



FRONT VIEW



All specifications approximate and subject to change without notice.



PRINTER SPECIFICATIONS

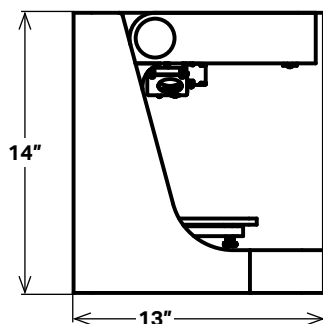
ONYX PRO

The Onyx Pro features Markforged's unique continuous fiber reinforcement at an affordable price. Built on a durable chassis with precision components, the Onyx Pro prints fiberglass reinforced thermoplastic parts that are 10x as strong as traditional printing plastics.

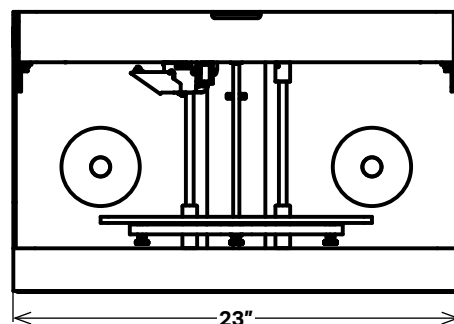
PRINTER PROPERTIES	Process	Continuous Fiber Reinforced Plastics
	Build Volume	320 x 132 x 154 mm (12.6 x 5.2 x 6 in)
	Weight	16 kg (35 lbs)
	Machine Footprint	584 x 330 x 355 mm (23 x 13 x 14 in)
	Print Bed	Flat to within 160 um - Kinematic coupling
	Power	100-240VAC, 150W (2A peak)
	Mark Two Upgrade	Carbon Fiber, HSHT, and Kevlar
PART PROPERTIES	Layer Height	100um default, 200um maximum
	Ultimate Tensile Strength	590 MPa (19.0x ABS, 16.4x Onyx)
	Max Flexural Stiffness	22 GPa (10.7x ABS, 7.6x Onyx)
	Infill	Closed Cell Infill: Multiple geometries available
SOFTWARE	Supplied Software	Markforged Software - Cloud Storage, Local Storage, or Fully On-Premise (\$5,000 added fee)
	Security	Two Factor Auth, Org Admin Access, Single Sign On
MATERIALS	Plastics Available	Onyx
	Fibers Available	Fiberglass

MACHINE COST

SIDE VIEW



FRONT VIEW



All specifications approximate and subject to change without notice.



PRINTER SPECIFICATIONS

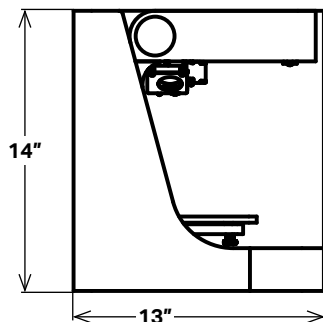
MARK TWO

Replace machined aluminum tooling - jigs, jaws and fixtures - with stronger parts for a fraction of the price. The Mark Two combines Markforged's unique continuous carbon fiber reinforcement with workhorse reliability for versatile parts with 23x the strength of ABS, ready same-day for use straight off the printer.

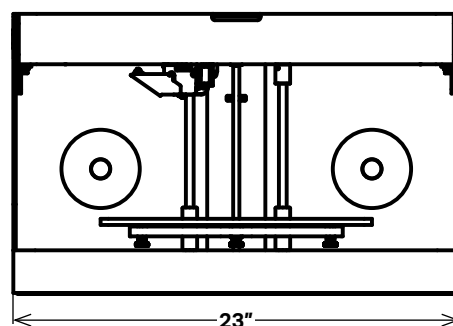
PRINTER PROPERTIES	Process	Continuous Fiber Reinforced Plastics
	Build Volume	320 x 132 x 154 mm (12.6 x 5.2 x 6 in)
	Weight	16 kg (35 lbs)
	Machine Footprint	584 x 330 x 355 mm (23 x 13 x 14 in)
	Print Bed	Flat to within 160 um - Kinematic coupling
	Power	100-240VAC, 150W (2A peak)
PART PROPERTIES	Layer Height	100um default, 200um maximum
	Ultimate Tensile Strength	700 MPa (22.6x ABS, 19.4x Onyx)
	Max Flexural Stiffness	51 GPa (24.8x ABS, 17.6x Onyx)
	Infill	Closed Cell Infill: Multiple geometries available
SOFTWARE	Supplied Software	Markforged Software - Cloud Storage, Local Storage, or Fully On-Premise (\$5,000 added fee)
	Security	Two Factor Auth, Org Admin Access, Single Sign On
MATERIALS	Plastics Available	Onyx
	Fibers Available	Carbon Fiber, Fiberglass, Kevlar, High Strength/High Temp Fiberglass

MACHINE COST

SIDE VIEW



FRONT VIEW



All specifications approximate and subject to change without notice.